

LONGER

地址：保定国家高新技术产业开发区大学科技园
6号楼B座3-4层

邮编：071051

销售电话：0312-3138553 3132333 3138011

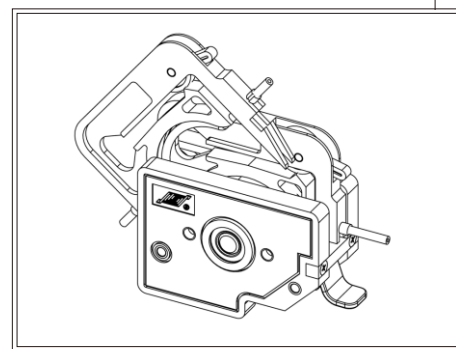
售后电话：0312-3127877

传真：0312-3168553

Http://www.longerpump.com.cn

E-mail: info@longerpump.com

DG系列蠕动泵泵头 使用说明书



保定兰格恒流泵有限公司

Baoding Longer Precision Pump Co., Ltd.

产品简介

多通道型泵头是为小流量、多通道流体输送而设计，易于更换和固定软管，压管间隙可微量调节。滚轮均采用优质材料。可提供6滚轮和10滚轮两种滚轮装置，10滚轮结构相对6滚轮结构流量偏小，但流体脉动幅度更小。卡片采用聚甲醛材料，具有良好的润滑作用。多通道型泵头性能见下表：

型号	滚轮材料	卡片材料	重量 (kg)	
			6 滚轮	10 滚轮
DG-1	SS	POM	0.21	0.20
DG-2			0.27	0.26
DG-4			0.40	0.39
DG-6	RULON [®] J	PVDF	0.54	0.51
DG-8			0.67	0.63
DG-12			0.95	0.88

型号	转速范围 (rpm)	适用软管 (mm)	最大流量范围 (mL/min)	
			6 滚轮	10 滚轮
DG-1	0.1 - 100	内径 ≤ 3.17 壁厚 0.8-1	48 (单通道)	32 (单通道)
DG-2				
DG-4				
DG-6				
DG-8				
DG-12				

⚠ 泵头材料不耐有机溶剂。

泵头安装

❖ 安装步骤

- 取下卡片，方可安装泵头。
- 该泵头用两支内六角螺钉 (M4) 与驱动器相连接。
- 先将两支螺钉分别插入后墙板安装孔，再将轴头穿入驱动器连轴器槽中，同时将两支螺钉对准驱动器安装孔，用内六角扳手分别旋紧螺钉即可。

多数情况下，泵头已安装在驱动器上，无需用户考虑，只有在清洗等情况下，拆卸泵头后，用户应按上述步骤安装。

用户在旋紧螺钉时，应尽量保证两支螺钉的紧度相同，且不宜过紧，以防止后墙板变形而产生运转噪声。

⚠ 泵头材料不耐有机溶剂！

调节棘轮为调整压管间隙而设置，没有调节流量的作用！

❖ 泵头压管间隙的调整

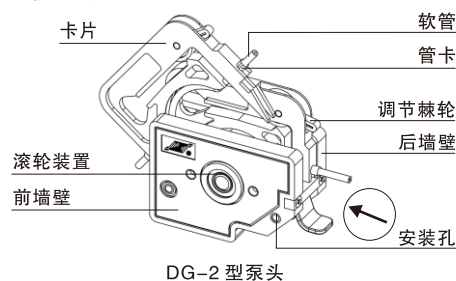
- DG型泵头适用软管壁厚为0.8~1(mm)

• 调整过程

泵头装卡软管后，将软管一端插入水中，从另一端向软管内充气，插入水中一端如冒气泡，则应将调节棘轮向上微调，至刚好不出气泡的临界位置为止，如无调整量仍冒气泡，说明管壁太薄，不在适用范围内。

⚠ 调节棘轮位置过高时，即软管被过量挤压时，会影响软管的寿命和加大驱动器的负载。因此，将调节棘轮调整到泵液临界位置为宜。

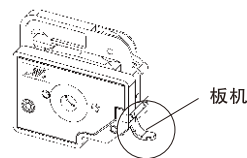
DG 系列泵头使用说明



DG-2 型泵头

安装软管

- 软管上两个管卡间距为72mm，如果仍存在跑管现象，建议在两侧均采用双管卡(注：跑管会导致软管快速磨损，极大的缩短软管寿命。)
- 依箭头方向按动卡片，将卡片卸下 (如上图所示)
- 将带有管卡的软管自然放入卡片工作位置 (如上图所示)
- 调整调节棘轮至于最低位置
- 将已装好软管的卡片装到泵头上



DG-1 型泵头

💡 DG-1泵头可按动扳机，使卡片顺利脱出 (仅限于DG-1、DG-2泵头)

产品维护

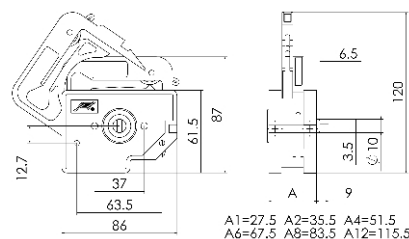
- 在泵不工作时，将压住软管的卡片松开，避免长时间挤压软管使软管产生塑性变形。
- 泵头的滚轮要保持清洁和干燥，否则会加快软管的磨损，缩短软管使用寿命和导致滚轮过早损坏。
- 泵头不耐有机溶剂和强腐蚀性液体，使用时应特别注意。

⚠ 如出现故障，请您拨打服务电话：0312-3127877

保修条款

本产品保修一年，在保修期内如因用户操作不当或者人为损坏，本公司不负责保修，产品寄回维修时，请注明客户联系信息和产品故障现象。

安装尺寸



安装尺寸图

注：A1~A12表示相应通道数的泵头厚度尺寸。

重要信息：

操作前请仔细阅读说明书。

警告：

- 软管由于磨损可能产生裂痕，导致液体从软管中溢出，这时可能对人体和设备产生伤害，因此要经常检查并及时更换软管！

Important Information:

Please read operating manual carefully before operation.

Warning:

- Tubing breakage may result in fluid being sprayed from pump. Use appropriate measures to protect operator and equipment. Please check the tubing frequently and change the tubing in time.

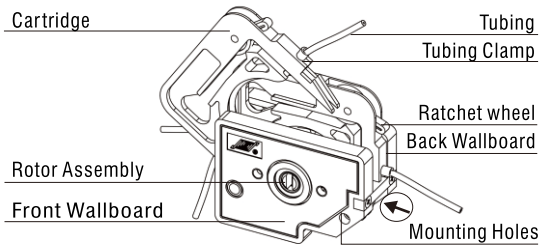
Introduction and general description

DG series pump heads (Multi-channel heads) are designed for small flow rates, multi-channel liquid transportation. Easy to change and load tubing. Occlusion clearance can be fine adjusted. The rotor adopt high performance materials. The rotor assembly with 6 rollers and 10 rollers can be choose. 10 rollers's pump had smaller flux and pulsating. The cartridge of POM had fine self-lubricate. The specifications are shown in the below table.

Type	Rotor materials	Cartridge materials	Weight (kg)	
			6 rollers	10 rollers
DG - 1	SS RULON [®] J	POM	0.21	0.20
DG - 2			0.27	0.26
DG - 4			0.40	0.39
DG - 6		PVDF	0.54	0.51
DG - 8			0.67	0.63
DG - 12			0.95	0.88

Type	Speed (rpm)	Tubing (mm)	Max. flow rate (mL/min)	
			6 rollers	10 rollers
DG - 1	0.1 - 100	Inner Diameter ≤ 3.17 Wall Thickness 0.8-1	48 (Per channel)	32 (Per channel)
DG - 2				
DG - 4				
DG - 6				
DG - 8				
DG - 12				

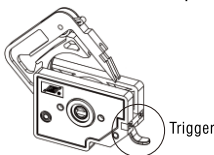
DG Series pump head direction for use



TUBE LOADING

- The tubing length between two stops is 72mm. If one stop on each side can't hold the tubing tightly, please use two stops on each side. Note: If the stops can't hold the tubing tightly, the tubing will move along with rotor running. This will lead to tubing excessive wear and premature failure.
- Press the cartridge as the arrow direction. (as the figure above)
- Fill the tube with stops into the cartridge working position. (as the figure above)
- Put the ratchet wheel to the lowest position.
- Put the cartridge with the tube on the pump head.

DG-1 pump head



DG-1 pump head can turn trigger to take the cartridge off. (DG-1, DG-2 pump head only)

Pump head tubing occlusion adjustment

- The tubing wall thickness for DG series pump head is 0.8-1 (mm).
- Adjust process
If the wall thickness of tubing is not standard, you can adjust the occlusion as follows: first load the tubing, and push the ratchet wheel to the lowest end to make the occlusion maximum. Place the inlet of the tubing into water and blow from the outlet, there are blebs. Then push the ratchet wheel to the higher till there are exactly no blebs. If there are still blebs after push the ratchet wheel to the highest end, it suggests that the wall thickness of the tubing is too thin and beyond the applicable range.

In order to prolong the tubing life and reduce the driver unit load, adjust the ratchet wheel in the right position is needed.

Product maintenance

- For optimum tubing life, keep tubing straight where it enters and exits the pump. Stop the drive when changing the tubing or its position in the rotor mechanism (the rotor is partially exposed when the CARTRIDGE is in the open position).
- Keep the roller clean and dry in order to extend the using life of the tube and rotor.
- The Pump head is organic solvent and strong caustic liquid non-resistance!

Service phone: 86-312-3138553

Pump head installation

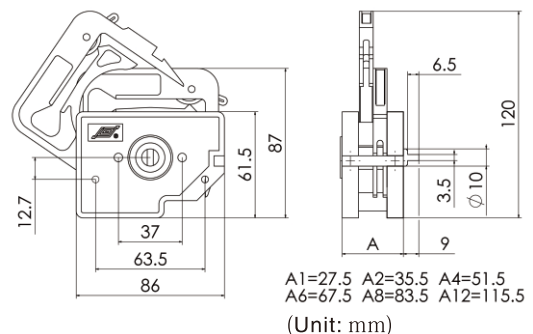
Installation step

- Take off the cartridge and install the pump head.
- The pump head is connected to driver unit by two allen screws (m4).
- Insert the two allen screws into the mounting holes at the back wallboard, connect the pump head with the driver unit end to end, then tighten the screws use the allen wrench.
- Usually the pump head had be connected with the driver unit. Only in washing ect. condition, pump head installation should be according to the step above.
- Try your best to tighten the two screws in the same degree. Do not over-tighten the screws to prevent the support block from deforming and buzz.
- The material of Pump head is organic solvent non-resistance!
- Ratchet wheel design for occlusion adjustment, can not adjust the flow rate.

Warranty

The warranty period for this product is one year. If repair or adjustment is necessary within the warranty period, the problem will be corrected at no charge if it is not due to misuse or abuse on your part, as determined by the manufacturer. Repair costs outside the warranty period, or those resulting from product misuse or abuse, may be invoiced to you.

Mounting Size



Pump head mounting size